

SUBMITTAL/TECHNICAL DATA SHEET



DESCRIPTION

Draft Stop Door is a non-rated access door designed to provide access through wall openings in the attics where draft stop conditions are needed. This self-closing and self-latching access door allows for access from both sides of the door.

FEATURES

- Wall Installation
- Self-Closing
- Custom Sizing

SPECIFICATIONS

MODEL: BDT/BDW/BDP

DOOR: 14 gauge Steel (self-closing)

FRAME: 16 gauge Steel

SIZE: Min: 6 inches by 6 inches
Max:
• BDT: 24 inches by 72 inches, 36 inches by 60 inches or 48 inches by 48 inches
• BDW/BDP: 36 inches by 48 inches

INSTALLATION: Wall

FLANGE: 1 inch Exposed or Drywall Bead

HINGE:
• BDT: Flush Continuous Piano
• BDW/BDP: Concealed Pin

FINISH: White Powder Coat

OPTIONS: Flanges, Latches, Materials, Gaskets, Anchors

WARRANTY: 1 year

For a complete list of options visit www.AccessDoorsAndPanels.com



SKU: **B DWK**

DRAFT STOP ACCESS DOOR



DIMENSIONS AND APPEARANCE

>> CLICK TO VIEW ADDITIONAL DETAILS AND PRICING <<

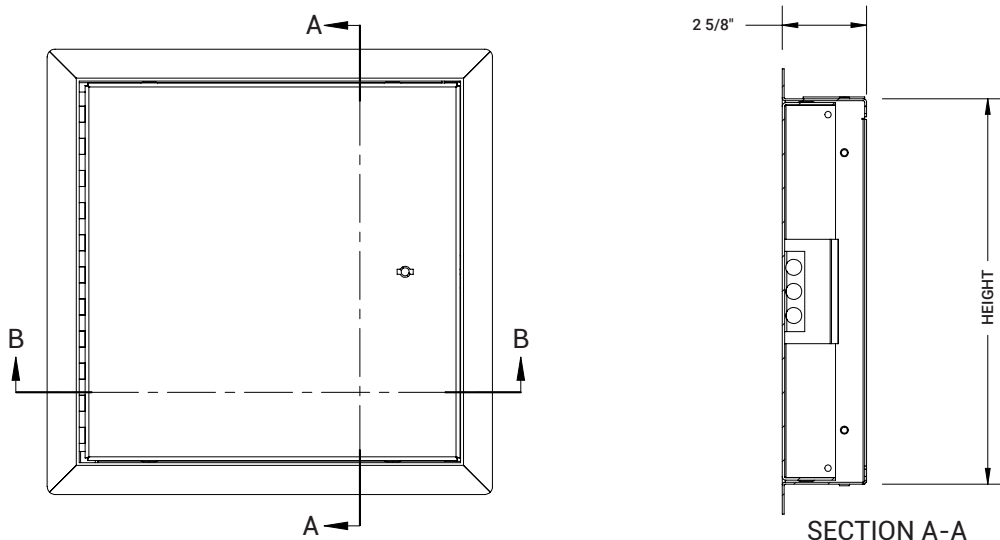
ORDER GUIDE:

BASE	FLANGE	LATCH	WIDTH	X	LENGTH	OPTIONS
BD						
	T 1 inch Flange	D Detention Prep	STANDARD SIZES (W X L)			B Galvannealed
	W Drywall Bead	K Knurled Knob/ Key Operated Latch Bolt	12" X 12"	22" X 30"	G Gasketing	
	P Plaster Bead	M Mortise Lock (1-1/8") Prep	16" X 16"	24" X 24"	S Type 304 Stainless Steel	
			18" X 18"	24" X 36"		
			24" X 40"	24" X 48"		

Rough opening is door size +1/4 inch minimum. Additional sizes available, call for more information.

*Recommended for Wall surfaces only.

FOR DETAILED SPECIFICATIONS SEE SUBMITTAL SHEET



PROJECT DATA

Custom Sizes Available - Fast!

PROJECT NAME :	QTY	W	H	OPTIONS
ARCHITECT :				
DEALER :				
CONTRACTOR :				
LOCATION :	SPECIAL INSTRUCTIONS :			
DATE :	SUBMITTAL APPROVAL : (signature or stamp)			
TAGGING INSTRUCTIONS :				

Scan or Click



To view Pricing and Additional Product Info.

TELEPHONE:
1-888-457-1275
FAX:
1-888-626-2907



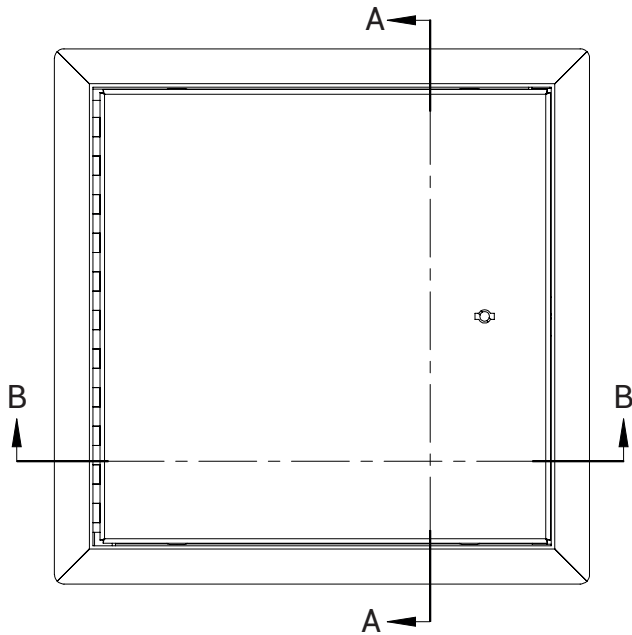
PO BOX 66738 #76520,
SAINT LOUIS, MO
63166-6738
USA



WEBSITE:
www.AccessDoorsAndPanels.com
E-MAIL:
info@AccessDoorsAndPanels.com

B DWK

DRAFT STOP ACCESS DOOR



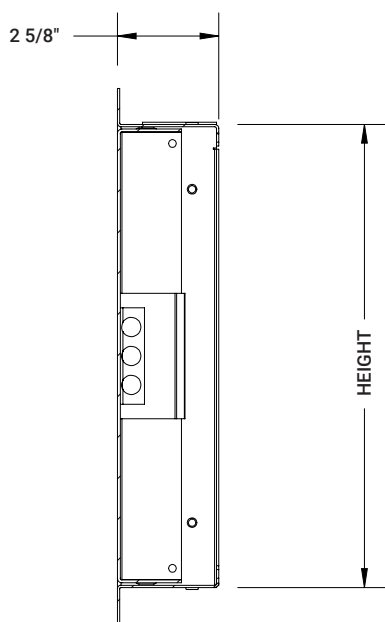
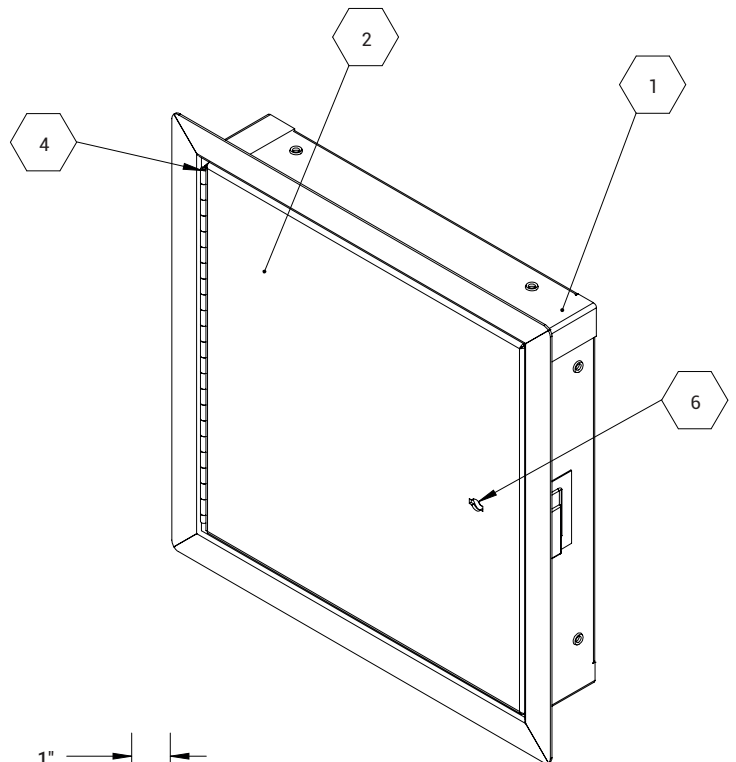
NOTES:

- ① FRAME:
- ② DOOR: Cold Rolled Steel, 14 GA
- ③ FINISH: White Powder Coat
- ④ HINGE:
- ⑤ SECONDARY LATCH: Varies
- ⑥ LOCK: Knurled Knob/Keyed Slam Latch

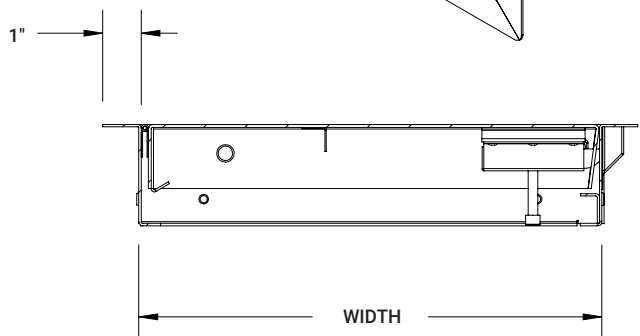
OPTIONS:

- Drip Cap (C)
- Gasket Installed (G)
- Masonry Anchors (M)

ROUGH OPENING: W + 0.25" x H + 0.25"
CLEAR OPENING: W - 2.375" x H - 1.125"
DEGREE OF OPENING: 125°



SECTION A-A



SECTION B-B



B DWK

DRAFT STOP ACCESS DOOR

